



# Microplate Vortex Mixers



## *The Ideal Solution for Dependable Vortex Mixing of Microplates*

OHAUS Microplate Vortex Mixers are perfect for mixing microplates throughout the speed range. All models are designed for continuous-duty use in the lab. Digital models offer a timer and exact speed control for applications that demand repeatable results and non-digital variable speed models are an economical alternative. The high-speed and small orbit of these mixers make them optimal for effectively mixing microplates.

### **Standard Features:**

- Safe to mix at high speeds - the innovative locking design of the microplate accessories allows these mixers to safely operate throughout the entire speed range.
- These mixers utilize a high quality German-manufactured motor allowing for reliable, continuous-duty operation at any speed.
- Robust digital and non-digital models offer effective speed control from low rpm for gentle shaking to high-speed mixing for vigorous vortexing of samples.

# Microplate Vortex Mixers

Model	VXMPAL	VXMPDG
Control	Analog	Digital
Speed Range	On Mode, 300 rpm – 2500 rpm, Touch Mode, 300 rpm – 3500 rpm	
Orbit	3.5 mm	
Duty Rating	Continuous	
Capacity	2 microplates	
Working Environment	4 °C – 40 °C, 20% – 85% Relative humidity, non-condensing	
Power	230V, 0.13A, 50/60Hz	
Power Consumption	30 W	
Dimensions (W × L × H)	137 × 266 × 114 mm	
Net Weight	5.3 kg	

## Other Standard Features and Equipment

Detachable 3-wire cord and plug (included), single microplate adapter and cup head (included)

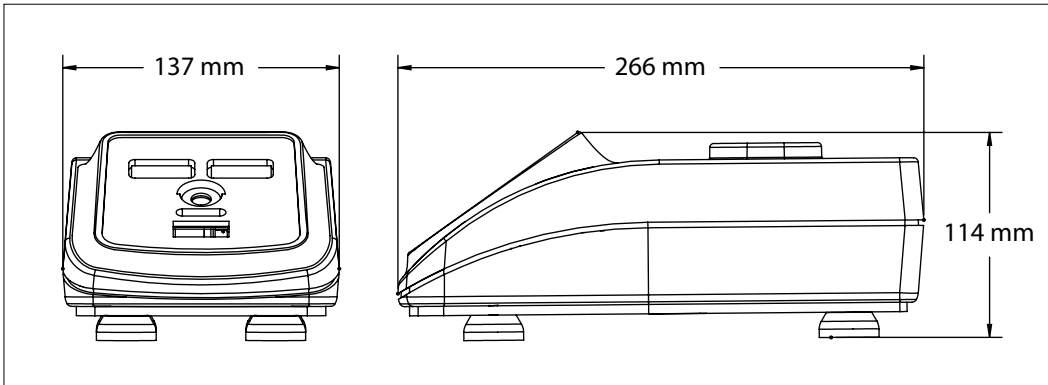
## Compliance

- **Product Safety:** EN 61010-1, EN 61010-2-051
- **Electromagnetic Compatibility:** EN 61326-1 Class A, Industrial Environments
- **Compliance Marks:** CE; RCM; TÜV SÜD

## Accessories

- Cup Head, VXHD and VXMP Vortex Mixers . . . . .30400210
- Double Microplate Holder . . . . .30400213
- Single Microplate Holder . . . . .30400215

## Dimensions



### OHAUS Europe GmbH

Heuwinkelstrasse 3,  
8606 Nänikon,  
Switzerland

e-mail: [ssc@ohaus.com](mailto:ssc@ohaus.com)  
Tel: 0041 22 567 53 19  
e-mail: [tsc@ohaus.com](mailto:tsc@ohaus.com)  
Tel: 0041 22 567 53 20

[www.ohaus.com](http://www.ohaus.com)

*The management system  
governing the manufacture  
of this product is  
ISO 9001:2015 certified.*

CH16F429

