



Incubating Cooling Orbital Shakers



Innovatively Designed Incubating Orbital Shaker to Heat, Cool and Shake Samples

OHAUS Incubating Cooling Shakers are innovatively designed to incubate samples from 10°C below ambient to 65°C providing accurate and repeatable results. All models feature independent displays with intuitive touchpad controls and include safety features that protect both the user and samples. Sturdy shakers feature triple eccentric drive systems for stable orbital motion with microprocessor-control for reliable shaking action.

Standard Features:

- Designed to provide flexibility in your applications, these shakers are microplate ready - no accessories required, and can easily accommodate modular blocks with the included block adapter.
- When precision is required, achieve temperature accuracy with the unique temperature calibration feature for sensitive applications. Digital control for reliable and repeatable shaking speed.
- Innovative temperature system allows for fast, accurate and uniform temperatures you can trust. The unique Peltier design with direct plate-to-sample contact offers precise heating and cooling.

Incubating Cooling Orbital Shakers

Model	ISICMBCDG
Control	Digital
Motion	Orbital, 3 mm
Speed Range	100 – 1200 rpm
Speed Accuracy	± 2%
Temperature Range	10 °C below ambient – 65 °C
Temperature Uniformity	± 0.5 °C at 37 °C
Timer	1 second – 160 hours
Capacity	2 Microplates or 2 Modular Blocks
Working Environment	5 °C – 40 °C, 80% Relative Humidity, non-condensing
Drive System	Brushless DC Motor; Triple Eccentric
Overall Dimensions (L × W × H)	419 × 257 × 279 mm
Net Weight	13.4 kg
Power	230V, 1A, 50/60Hz
Power Consumption	160 W

Other Standard Features and Equipment

Caution hot indicator, detachable 3-wire cord and plug (included)

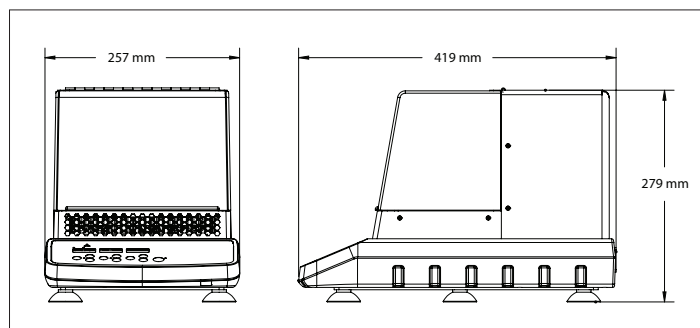
Compliance

- **Product Safety:** EN 61010-1, EN 61010-2-010, EN 61010-2-051
- **Electromagnetic Compatibility:** EN 61326-1 Class A, Industrial Environments
- **Compliance Marks:** CE; RCM; TÜV SÜD

Applications

Immunoassays, hybridizations, cell cultures, bacterial and yeast cultures and suspensions, ELISA assays, PCR, enzyme reactions

Dimensions



Accessories

Item No.	Description	Max. per Shaker	No. of Wells	Well Diameter (mm)	Well Depth (mm)
30400151	Module Block for 10 mm Ø Test Tubes	2	24	10.7	48.4
30400152	Module Block for 12/13 mm Ø Tubes	2	20	13.9	48.4
30400156	Module Block Combination	2	14	26.2; 13.8; 8.3	48.4
30400157	Module Block for 0.5 mL Microtaper	2	30	7.9	27.6
30400158	Module Block for 6 mm Ø Test Tubes	2	30	8.3	48.4
30400159	Module Block for 1.5 mL Microtaper	2	20	11.1	39.1
30400168	Module Block for 50 mL Conical Centrifuge Tubes	2	5	29	47.6
30400172	Module Block for 15 mL Conical Centrifuge Tubes	2	12	17.1	44.5
30400182	Module Block For Vials 12 mm Ø	2	20	12.7	30
30400183	Module Block For Vials 15 mm Ø	2	20	15.8	35
30400184	Module Block For Vials 17 mm Ø	2	12	17.8	45
30400185	Module Block For Vials 19 mm Ø	2	12	19.7	45
30400186	Module Block For Vials 21 mm Ø	2	9	21.7	45
30400187	Module Block For Vials 23 mm Ø	2	8	23.8	45
30400188	Module Block For Vials 25 mm Ø	2	8	25.8	45
30400189	Module Block For Vials 28 mm Ø	2	6	28.8	45
30400190	Module Block For Vials 16 mm Ø	2	15	16.4	45
30400191	Module Block for 2.0 mL Tubes	2	20	11.5	38.1
30400193	Module Block Combo, 50 mL, 15 mL, 1.5 mL	2	9	29; 17.1; 11.1	47.6; 44.5; 39.1
30400194	Module Block Combo—Micro Tube	2	21	11.5; 11.1; 7.9	38.1; 39.1; 27.6

OHAUS Asia/Pacific Headquarters

7F, Block 33, 680 Guiping Road
Shanghai 200233
China

e-mail: APmarketing@ohaus.com
Tel: +86 21 64855408

www.ohaus.com

The management system governing the manufacture of this product is ISO 9001:2015 certified.

SAP Literature #

