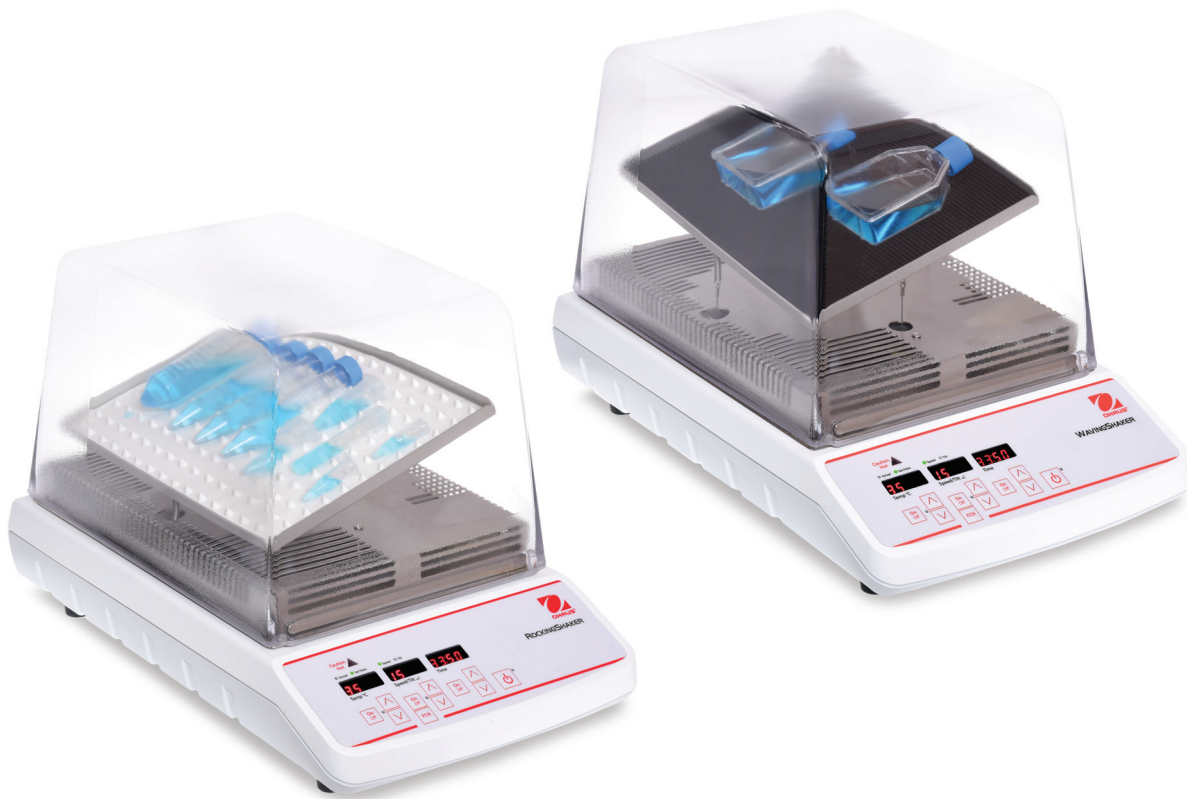




Incubating Rocking & Waving Shakers



Save Incubator Space with Unique Benchtop Incubating Rocking and Waving Shakers

OHAUS Incubating Rocking and Waving Shakers are innovatively designed to incubate samples providing accurate and repeatable results. Rocking shakers provide a controlled see-saw like motion, while waving shakers offer a smooth, low-foaming three-dimensional wave motion. All models feature independent displays with intuitive touchpad controls. Both models include safety features that protect both the user and samples.

Standard Features:

- Electronic control allows simple tilt angle, speed and temperature adjustments while the unit is still running to achieve optimal mixing.
- Achieve reproducible results you can trust. Precisely adjust the tilt angle in 1° increments, vary the speed by 1 rpm and set temperature in 1°C increments with intuitive touchpad controls.
- Innovative speed ramping feature slowly increases speed to desired setpoint to avoid splashing. Smooth rocking or waving motion is maintained with unique, state-of-the-art motor and electronics.

Incubating Rocking & Waving Shakers

Model	ISRK04HDG	ISWV02HDG
Shaker Type	Rocking Shaker	Waving Shaker
Control	Digital	
Motion / Tilt Angle	Rocking, 0 – 15°	Waving, 0 – 20°
Speed Range	1 – 50 rpm	1 – 30 rpm
Speed Accuracy	± 1 rpm	
Temperature Range	Ambient +5 °C – 65 °C	
Temperature Uniformity	± 0.5 °C at 37 °C	
Timer	1 second – 160 hours	
Capacity	4.5 kg	2.3 kg
Working Environment	5 °C – 40 °C, 80% Relative Humidity, non-condensing	
Drive System	Stepper Motor	
Included Tray (L × W)	254 mm × 191 mm	235 mm × 184 mm
Tray Construction	Aluminum	
Overall Dimensions (L × W × H)	419 × 257 × 274 mm	
Inner Dimensions (L × W × H)	273 mm × 197 mm × 970 mm	273 mm × 197 mm × 860 mm
Net Weight	5.7 kg	6.2 kg
Power	230V, 1.87A, 50/60Hz	
Power Consumption	420 W	

Other Standard Features and Equipment

Spill-resistant design, caution hot indicator, detachable 3-wire cord and plug (included)

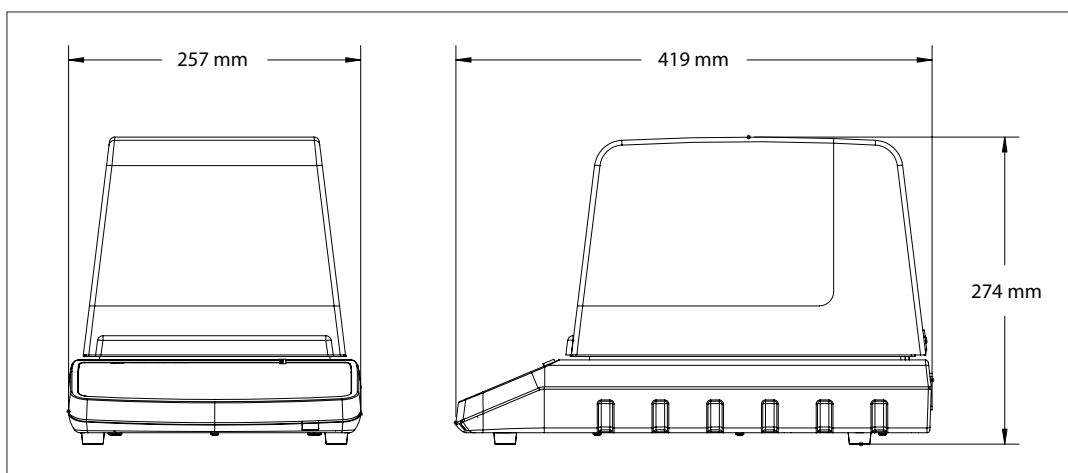
Compliance

- **Product Safety:** EN 61010-1, EN 61010-2-010, EN 61010-2-051
- **Electromagnetic Compatibility:** EN 61326-1 Class A, Industrial Environments
- **Compliance Marks:** CE; RCM; TÜV SÜD

Applications

Hybridizations, cell cultures, blotting techniques, staining and destaining gels

Dimensions



OHAUS Asia/Pacific Headquarters

7F, Block 33, 680 Guiping Road
Shanghai 200233
China

e-mail: APmarketing@ohaus.com
Tel: +86 21 64855408

www.ohaus.com

*The management system
governing the manufacture
of this product is
ISO 9001:2015 certified.*

SAP Literature #

